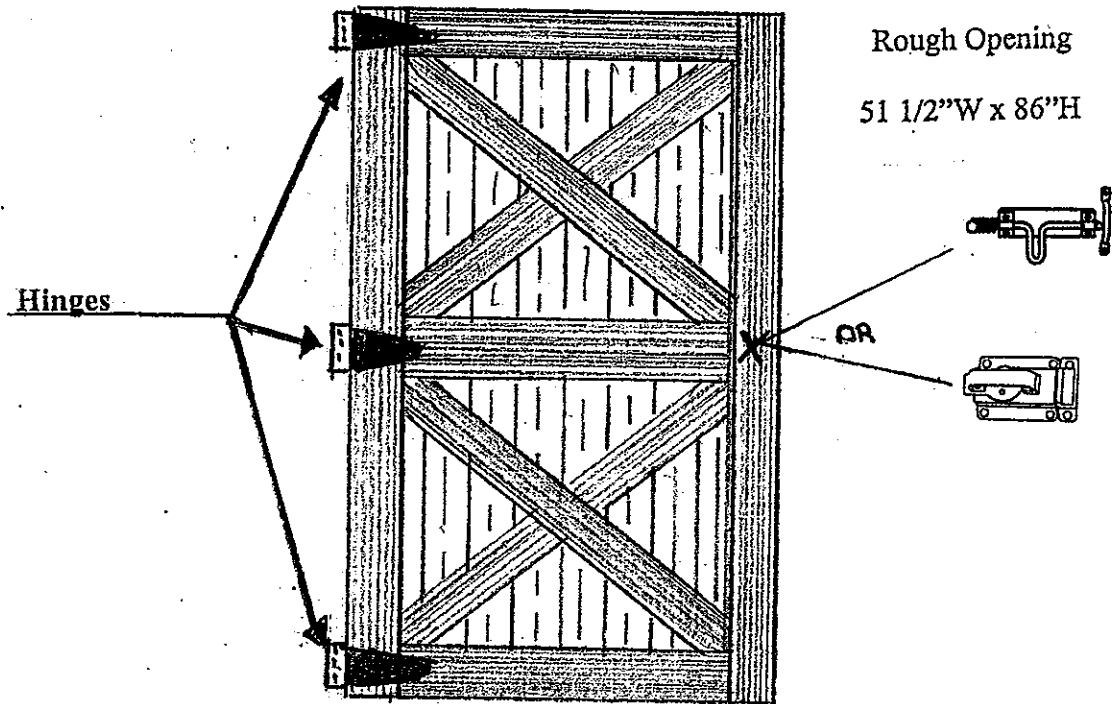


# WOODSTAR PRODUCTS, INC.

## SOLID DOOR INSTRUCTIONS



1. Line both sides and top of rough opening with 2" x 6" jambs. This will size finished opening to 48 1/2"W x 84 1/2"H so that there will be 1/4" space on each side plus 1/4" space at top and bottom.
2. Lay door face up on a flat surface. Using #12 x 2" screws, fasten three (3) hinges to the door as shown in sketch.
3. Set door into opening with 1/4" spacer at hinge side and 1/4" above grade. Fasten "T" section of hinge to face edge of jamb.
4. With door in a closed position, nail 1" x 2" doorstop to both side jambs and top jamb on inside of door. Allow 1/8" space between stop and back side of door at hinge side to that door will swing open freely.
5. Attach super latch to face of door (opposite center hinge) as shown in sketch.



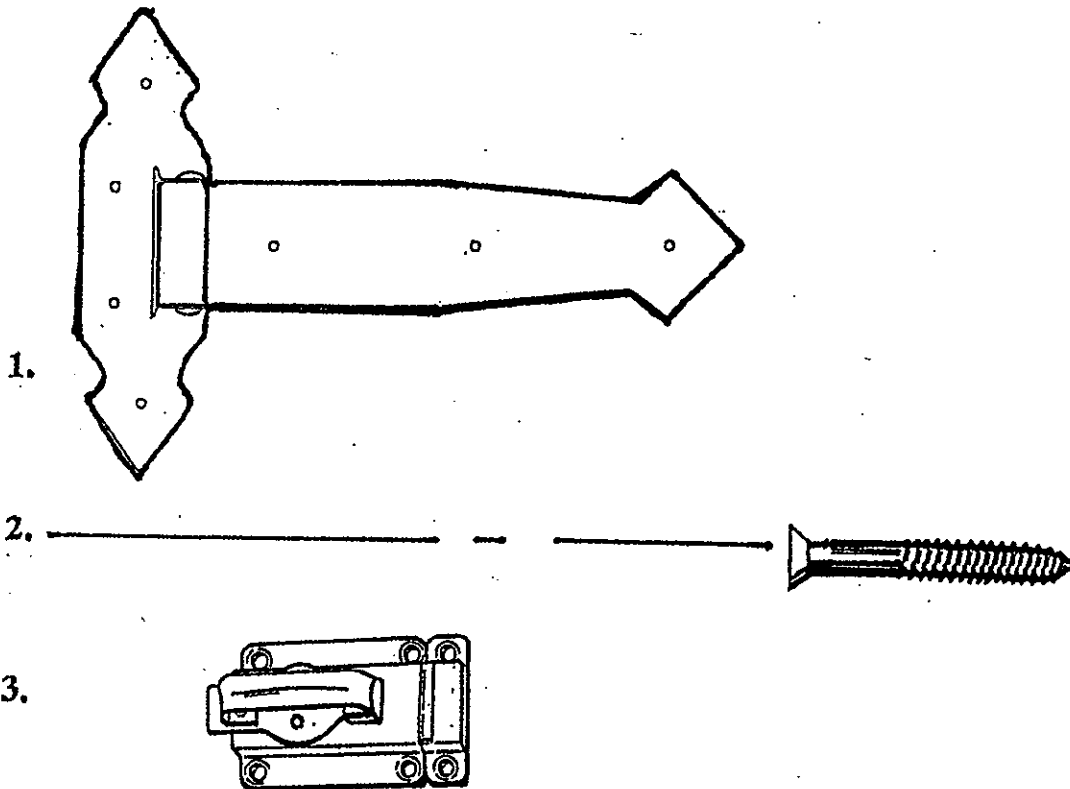
1824 Hobbs Drive • Delavan, Wisconsin 53115

Phone: (262) 728-8460 • Fax: (262) 728-1813 • (800) 648-3415 • Web: [www.wdstar.com](http://www.wdstar.com) • email: [stalls@wdstar.com](mailto:stalls@wdstar.com)

# WOODSTAR PRODUCTS, INC.

## STANDARD SWINGING HARDWARE PACKAGE

1. 3 - 10" DECORATIVE HINGES
2. 8 - #12 x 2" SCREWS
3. 1 - SWINGING DOOR LATCH

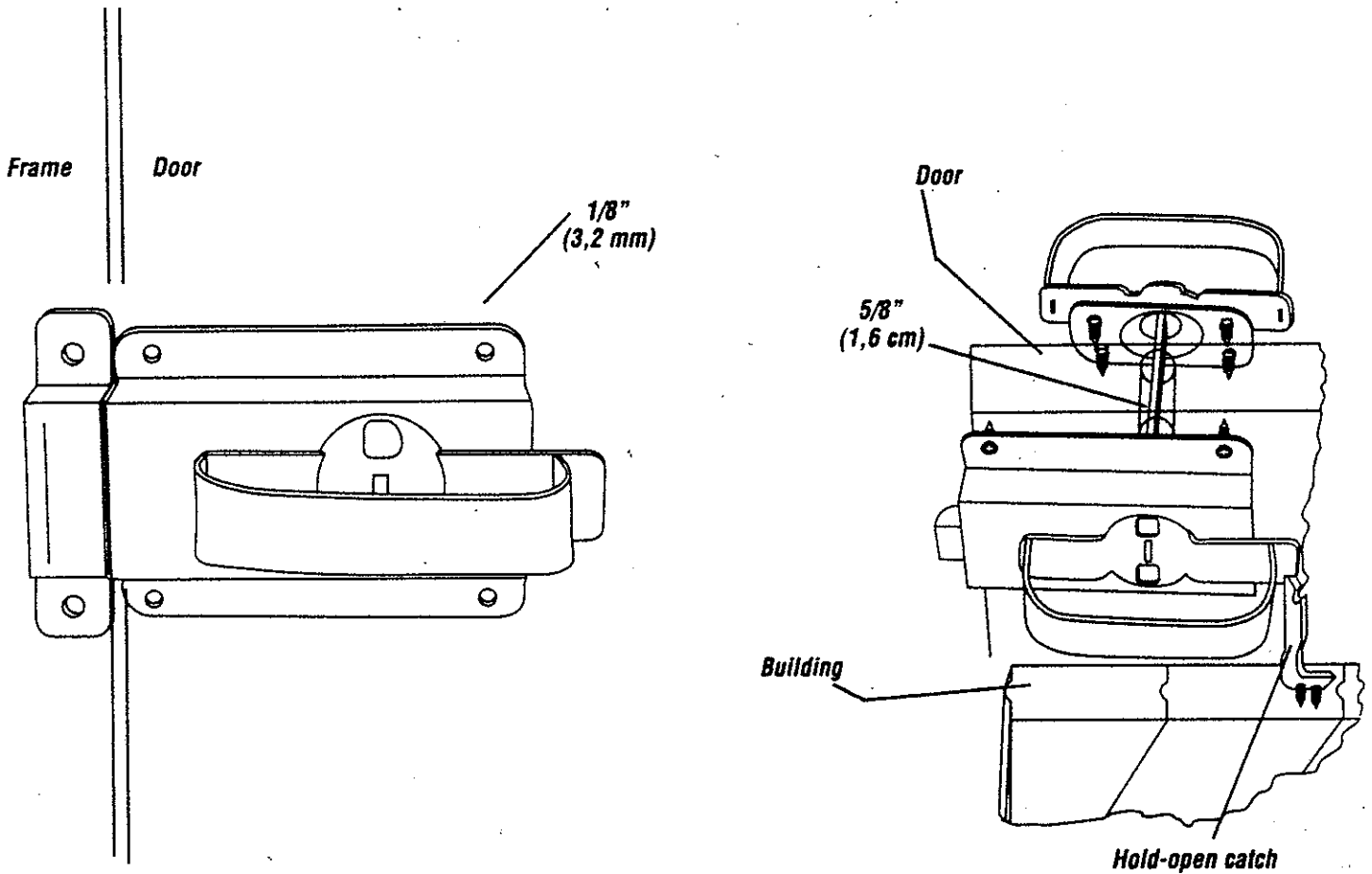


1824 Hobbs Drive • Delavan, Wisconsin 53115

Phone: (262) 728-8460 • Fax: (262) 728-1813 • (800) 648-3415 • Web: [www.wdstar.com](http://www.wdstar.com) • email: [stalls@wdstar.com](mailto:stalls@wdstar.com)

# WOODSTAR PRODUCTS, INC.

## SWINGING DOOR LATCH DETAIL



**NOTE: For  $3/4''$  to  $21/4''$  thick doors. Also available for 3" thick doors.**



1824 Hobbs Drive • Delavan, Wisconsin 53115

Phone: (262) 728-8460 • Fax: (262) 728-1813 • (800) 648-3415 • Web: [www.wdstar.com](http://www.wdstar.com) • email: [stalls@wdstar.com](mailto:stalls@wdstar.com)