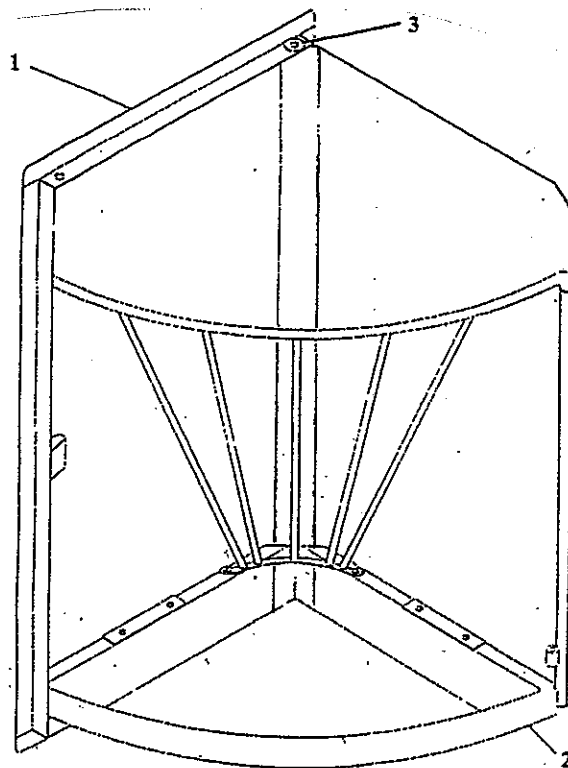


WOODSTAR PRODUCTS, INC.

SWING OUT FEEDER INSTRUCTIONS



THANK YOU

For purchasing our Swing Out Corner Horse Feeder. This feeder is designed to speed up and simplify feeding. All exposed edges on the feeder are rounded to prevent injury to you and your horse. Each can be mounted to swing left or right.

FEATURES INCLUDE:

- (A) Solid rod construction.
- (B) Aisle side of feeder flush with wall.
- (C) Easy open spring latch.
- (D) Rounded corners to prevent injuries.
- (E) One piece back, no welding.
- (F) Poly feed tray prevents rust and no sharp edges.

OVER PLEASE



1824 Hobbs Drive • Delavan, Wisconsin 53115

Phone: (262) 728-8460 • Fax: (262) 728-1813 • (800) 648-3415 • Web: www.wdstar.com • email: stalls@wdstar.com

1. The feeder has been assembled with right hand opening.
2. If left hand opening is required, remove pivot rod, rotate frame 180 degrees and reinstall pivot rod. Move latch assembly to other side of feeder so it will latch. (See Fig. 1)

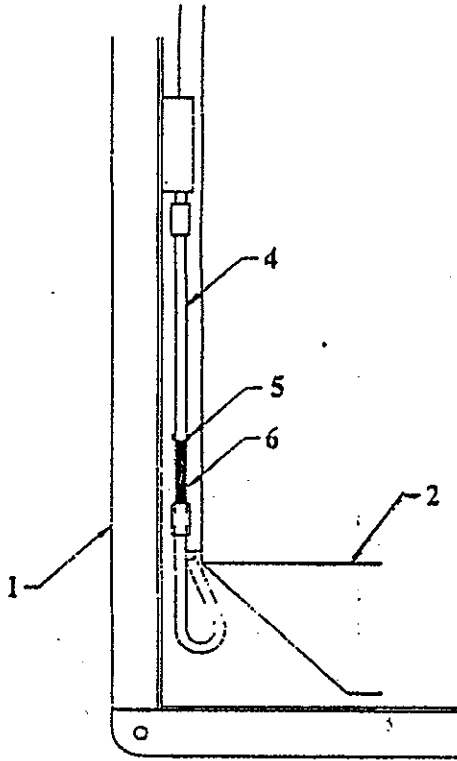
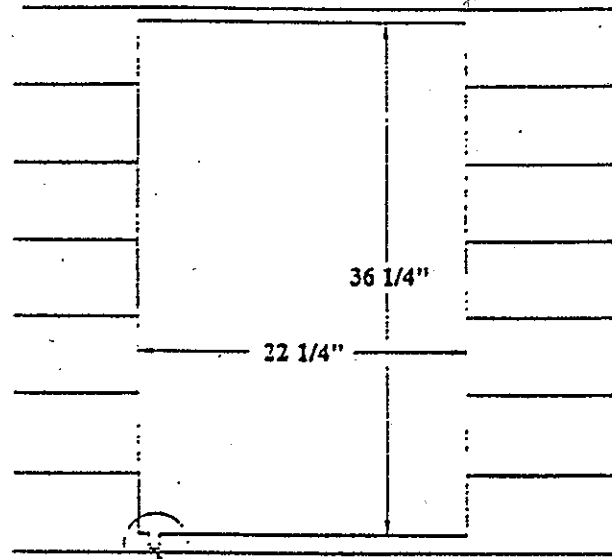
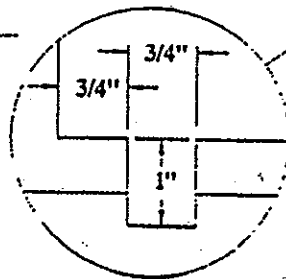


Fig. 1



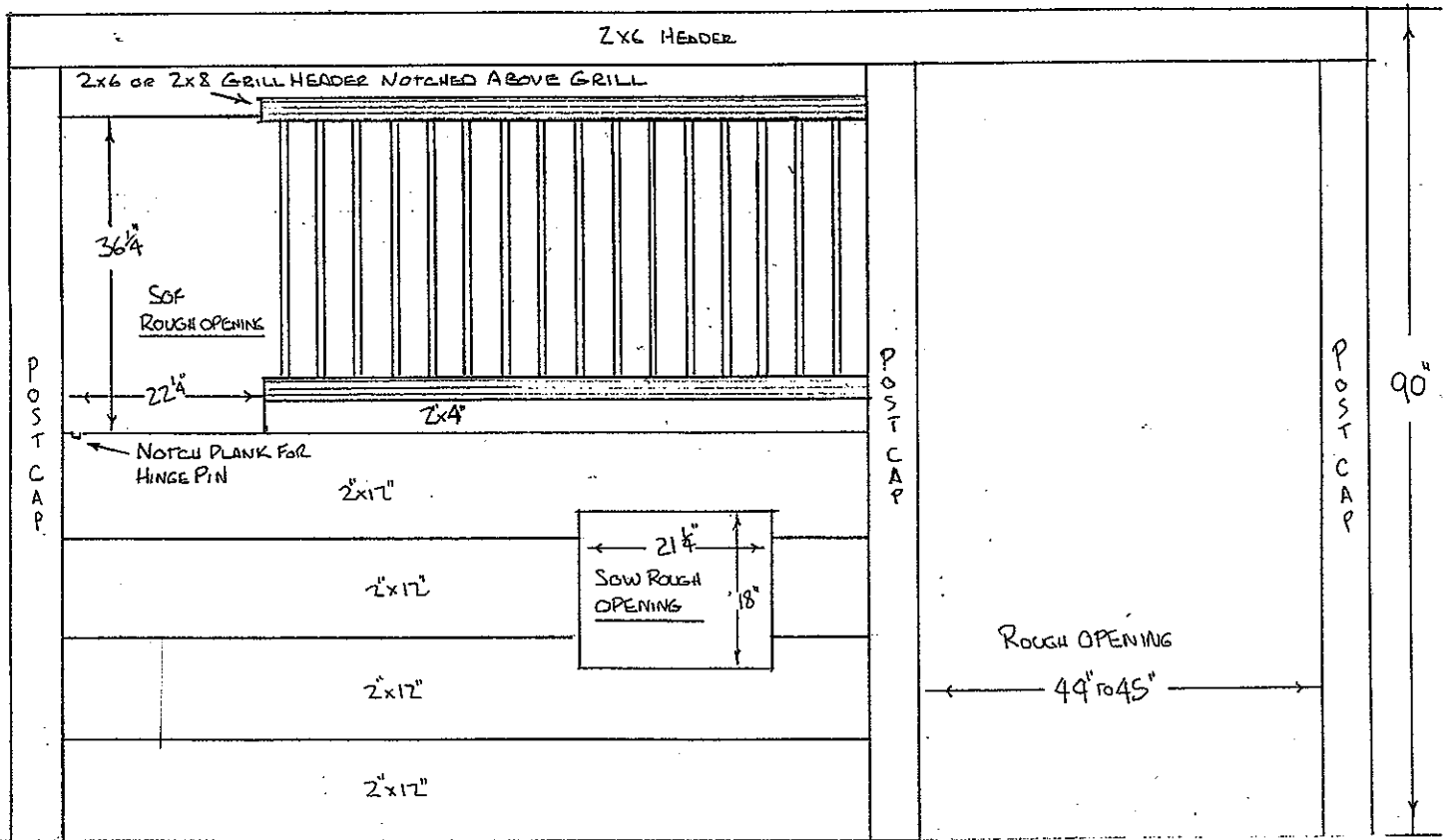
NOTE: a notch will need to be cut on the pivot side.

Fig. 2

3. Cut frame opening into wall. Wall opening size required is 36 1/4" high x 22 1/4" wide. *NOTICE: A notch will need to be cut on pivot side of opening for pivot rod. (See Fig. 2)*
4. Fasten feeder and frame to wall with lags or bolts (not provided).

WOODSTAR PRODUCTS, INC.

INSTALLATION DETAIL FOR SWING OUT FEEDER AND SWING OUT WATER DOOR



SCALE 1/8" = 1"



1824 Hobbs Drive • Delavan, Wisconsin 53115

Phone: (262) 728-8460 • Fax: (262) 728-1813 • (800) 648-3415 • Web: www.wdstar.com • email: stalls@wdstar.com