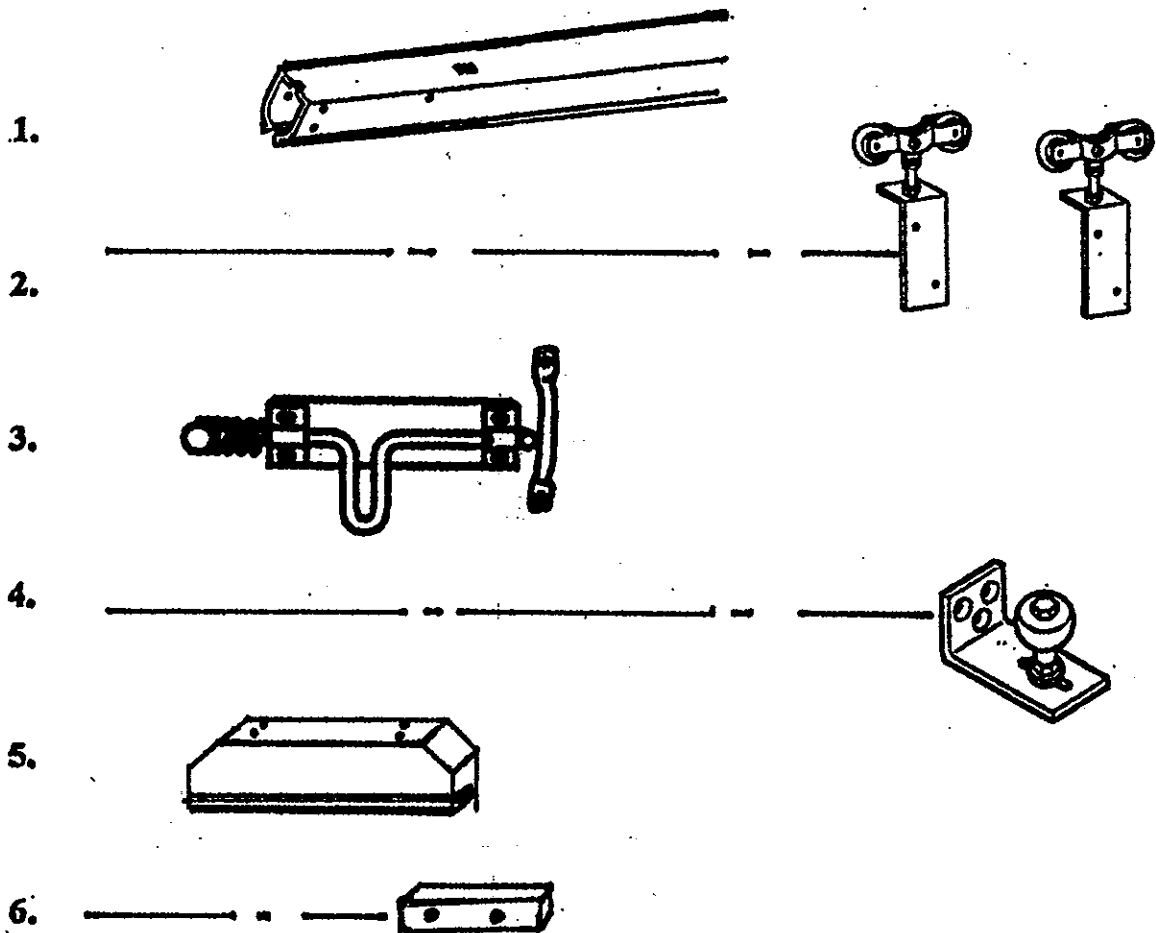


# WOODSTAR PRODUCTS, INC.

## STANDARD 8' SLIDING DOOR HARDWARE PACKAGE

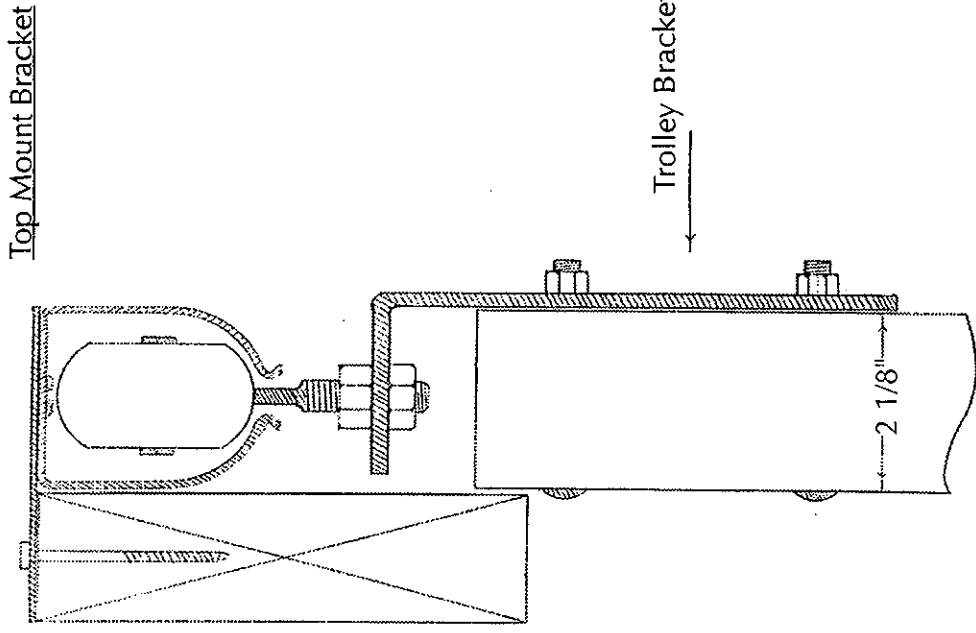
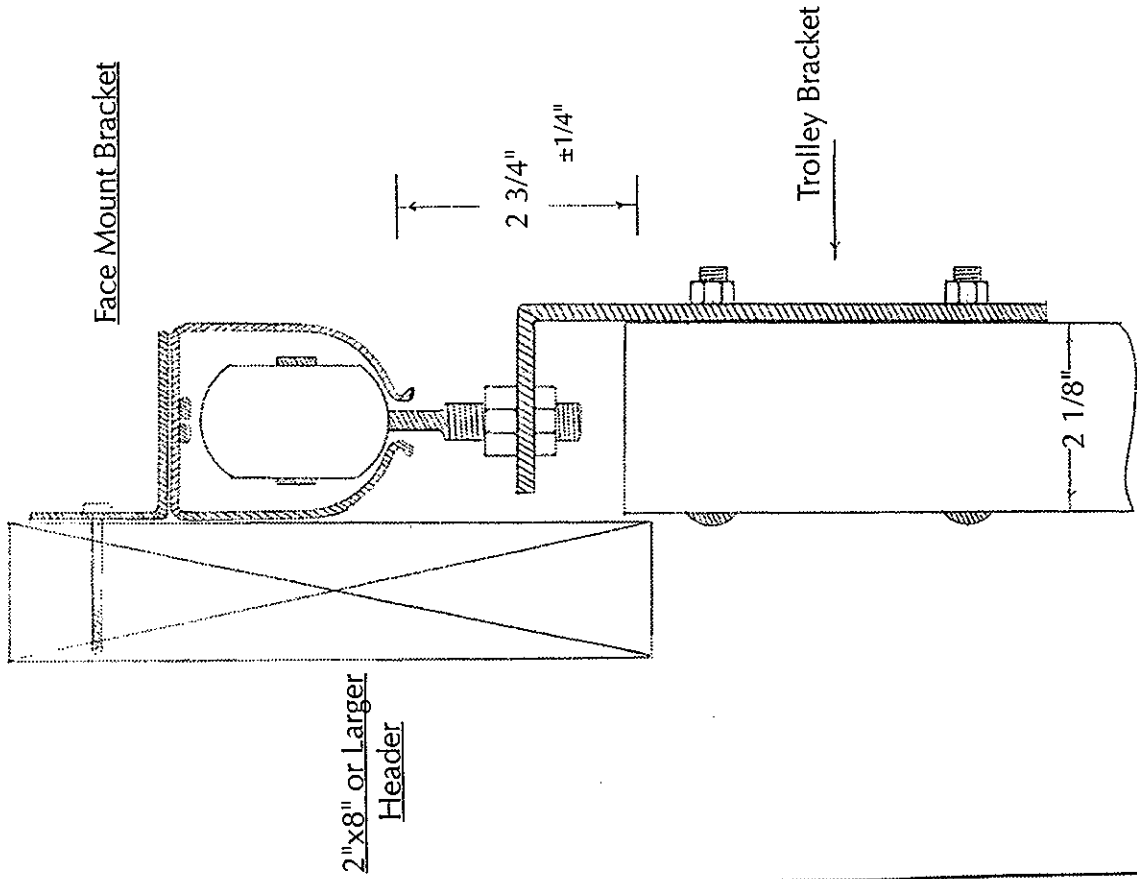
- 
1. 1-8' PCS. OF TRACK
  2. 1-BAG W/ TROLLEYS & BOLTS
  3. 1-BOX W/ SPRING LOADED SAFTY LATCH
  4. 1-STAY ROLLER W/ SCREWS
  5. 1-LARGE STOP BLOCK
  6. 1-SMALL STOP BLOCK



1824 Hobbs Drive • Delavan, Wisconsin 53115

Phone: (262) 728-8460 • Fax: (262) 728-1813 • (800) 648-3415 • Web: [www.wdstar.com](http://www.wdstar.com) • email: [stalls@wdstar.com](mailto:stalls@wdstar.com)

# STALL DOOR TRACK DETAIL



Woodstar Products

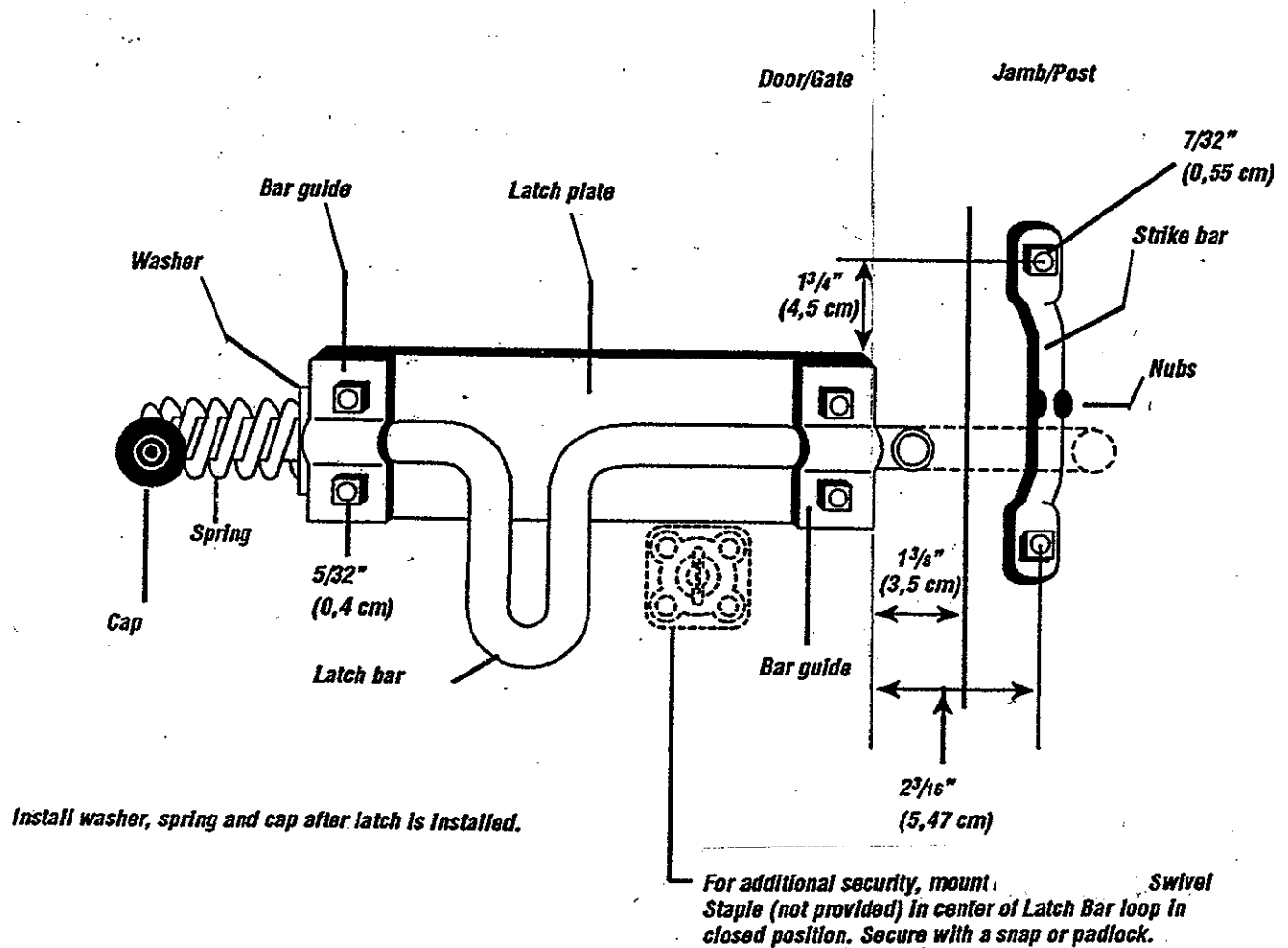
DESIGNED BY: E. Vogel  
 DRAWN BY: June 07

Delavan, Wisconsin

800-648-3415

# WOODSTAR PRODUCTS, INC.

## SPRING LOADED SAFETY LATCH DETAIL



1824 Hobbs Drive • Delavan, Wisconsin 53115

Phone: (262) 728-8460 • Fax: (262) 728-1813 • (800) 648-3415 • Web: [www.wdstar.com](http://www.wdstar.com) • email: [stalls@wdstar.com](mailto:stalls@wdstar.com)