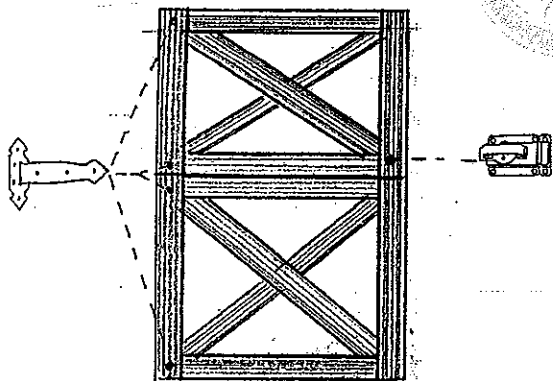


WOODSTAR PRODUCTS, INC.



Rough Opening 51 3/8" W x 86 1/4" H

Line both sides and top of rough opening with 2"x6" jambs. This will size finished opening to 48 3/8" W x 84 3/4" H so that there will be 3/16" space on each side plus 1/4" space at top and bottom and between the two sections of the door.

- 1) Lay both door sections face up on a flat surface. Using #12x2" screws, fasten two hinges to each section as shown in sketch.
- 2) Set outside portion of door handle (section without stem) on face of top section at location shown in sketch so that front edge of handle is flush with edge of door. With a nail, mark door through center slot of door handle. Drill 1" diameter hole through door at the mark.
- 3) Set bottom section of door into opening with 3/16" spacer at hinge side and 1/4" above grade. Fasten T section of hinge to face edge of jamb.
- 4) Fasten top door section in same manner leaving 1/4" space between top and bottom section.
- 5) With door in a closed position, nail 1"x2" door stop to both side jambs and top jamb on inside of door. Allow 1/8" space between stop and back side of door at hinge side so that door will swing open freely.
- 6) Install door handle so that stemmed section is on back side of door.
- 7) Install barrel bolt on back side of door so that both sections can be tied together.
- 8) Install gate hook to back side of bottom section of door.

IMPORTANT

AS WITH ALL EXTERIOR WOOD PRODUCTS, IT IS EXTREMELY IMPORTANT TO PROVIDE PROTECTION FROM THE ELEMENTS. FOR STAINING, APPLY TWO (2) COATS OF A QUALITY EXTERIOR STAIN. FOR PAINTING, APPLY A PRIMER AND (2) COATS OF A QUALITY EXTERIOR PAINT. WHETHER STAINING OR PAINTING, IT IS ESSENTIAL THAT THE DOOR IS DRY PRIOR TO APPLYING THE FINISH AND THAT ALL EXPOSED WOOD IS COVERED.



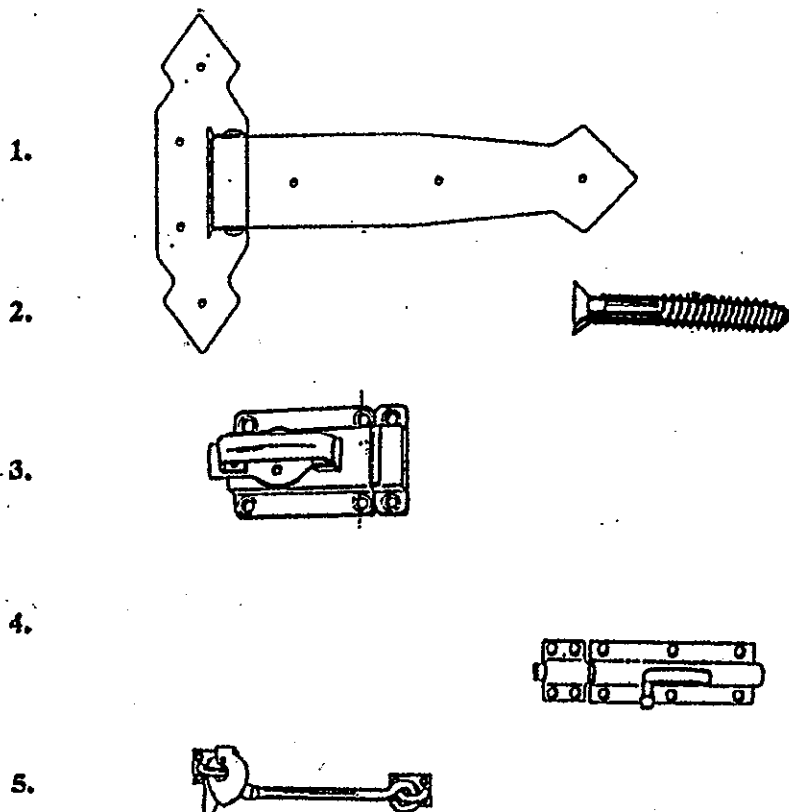
1824 Hobbs Drive • Delavan, Wisconsin 53115

Phone: (262) 728-8460 • Fax: (262) 728-1813 • (800) 648-3415 • Web: www.wdstar.com • email: stalls@wdstar.com

WOODSTAR PRODUCTS, INC.

STANDARD DUTCH DOOR HARDWARE PACKAGE

1. 4 - 10" DECORATIVE HINGES
2. 12 - #12 x 2" SCREWS (FOR DOOR SIDE ONLY)
3. 1 - SWINGING DOOR LATCH
4. 1 - 6" BARREL BOLT (FROM TOP TO BOTTOM DOOR)
5. 1 - 6" SAFTY GATE HOOK (FROM BOTTOM DOOR TO JAMB)

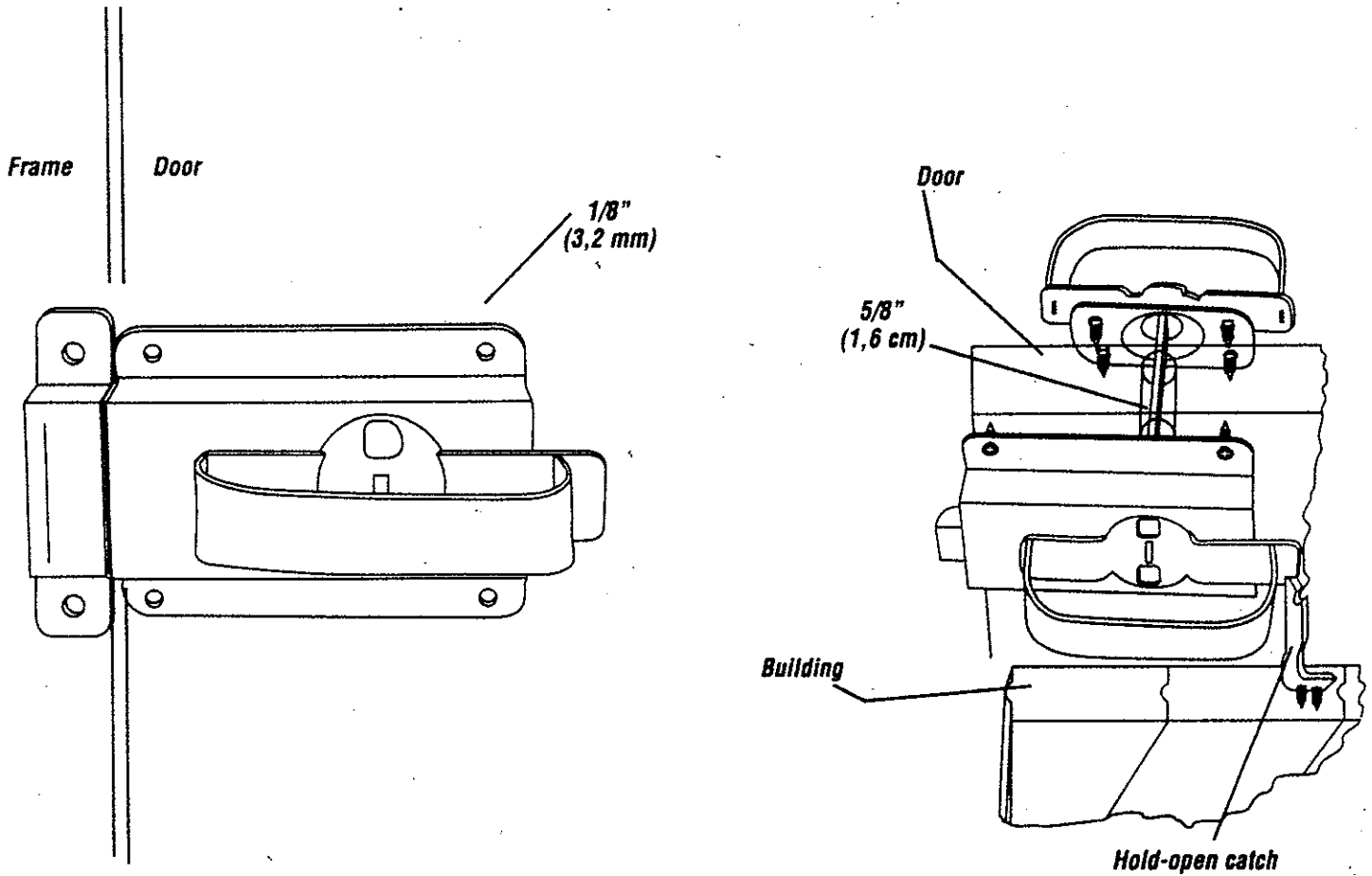


1824 Hobbs Drive • Delavan, Wisconsin 53115

Phone: (262) 728-8460 • Fax: (262) 728-1813 • (800) 648-3415 • Web: www.wdstar.com • email: stalls@wdstar.com

WOODSTAR PRODUCTS, INC.

SWINGING DOOR LATCH DETAIL



NOTE: For $3/4"$ to $2 1/4"$ thick doors. Also available for 3" thick doors.



1824 Hobbs Drive • Delavan, Wisconsin 53115

Phone: (262) 728-8460 • Fax: (262) 728-1813 • (800) 648-3415 • Web: www.wdstar.com • email: stalls@wdstar.com