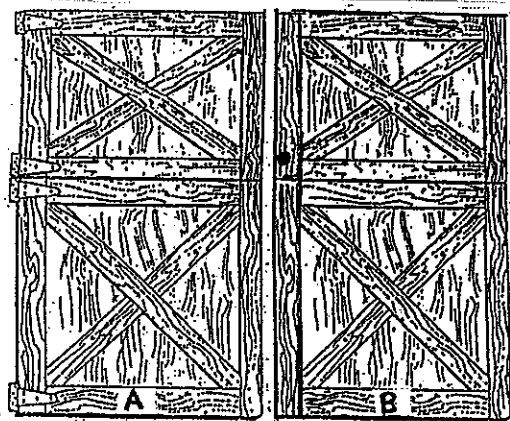


# WOODSTAR PRODUCTS, INC.



## DOUBLE DUTCH DOOR INSTRUCTIONS

1. LAY BOTH DOOR SECTIONS FACE UP ON A FLAT SURFACE. USING THE #12 SCREWS FASTEN TWO HINGES TO EACH SECTION AS SHOWN ON DOOR ( A )
2. SET BOTTOM SECTION OF DOOR INTO OPENING W/ 3/16" SPACE AT HINGE SIDE ON BOTH DOOR ( A & B ) AND FASTEN INTO PLACE.
3. FASTEN TOP DOOR SECTION IN SAME MANNER LEAVING 1/4" SPACE BETWEEN TOP, MIDDLE & BOTTOM SECTIONS OF DOORS BOTH ( A & B )
4. WITH DOOR IN CLOSED POSITION NAIL A 1"x 2" DOOR STOP TO BOTH SIDES OF JAMB AND ACROSS THE TOP OF THE DOOR OPENING. ALLOWING A 1/8" SPACE BETWEEN THE STOP AND THE BACK SIDE OF THE DOOR. AT HINGE SIDE SO THE DOOR WILL SWING OPEN FREELY
5. INSTALL CLOSURE STRIPS TO TOP & BOTTOM OF DOOR ( A ) ON BACK SIDE.
6. INSTALL CANE BOLT ON BOTTOM OF DOOR ( A ) BACK SIDE
7. INSTALL 6" BARREL BOLT TO BACK SIDE OF EACH DOOR IN A VERTICAL MANNER TO LOCK BOTH DOORS TOGETHER SO THEY WILL SWING AS ONE DOOR
8. INSTALL DOOR LATCH / HANDLE ON FACE OF DOOR ( B ) TOP SECTION. THIS WILL INSURE THAT ALL ( A ) SECTION WILL STAY CLOSED. BE SURE THAT STEMMED SECTION OF HANDLE IS ON THE BACK SIDE OF DOOR. USE A 3/4" BIT TO DRILL HOLE FOR LATCH / HANDLE

### \*\*\*\*\* IMPORTANT \*\*\*\*\*

AS WITH ALL EXTERIOR WOOD PRODUCTS, IT IS EXTREMELY IMPORTANT TO PROVIDE PROTECTION FROM THE ELEMENTS. FOR STAINING - APPLY TWO (2) COATS OF A QUALITY EXTERIOR STAIN. FOR PAINTING - APPLY A PRIMER AND TWO (2) COATS OF A QUALITY EXTERIOR PAINT. WHETHER STAINING OR PAINTING, IT IS ESSENTIAL THAT THE DOOR IS DRY PRIOR TO APPLYING THE FINISH AND THAT ALL EXPOSED WOOD IS COVERED.



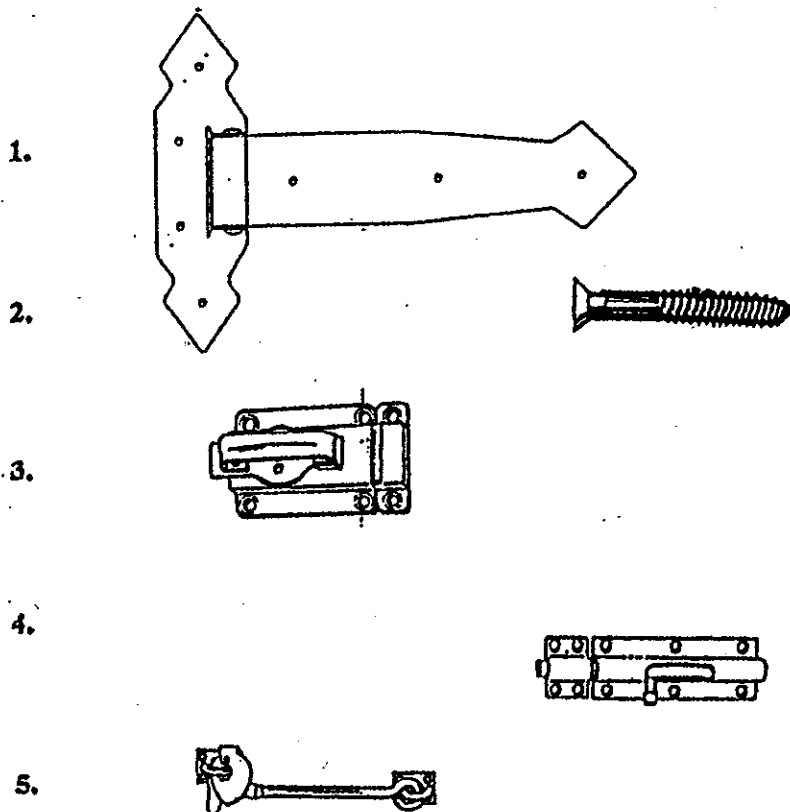
1824 Hobbs Drive • Delavan, Wisconsin 53115

Phone: (262) 728-8460 • Fax: (262) 728-1813 • (800) 648-3415 • Web: [www.wdstar.com](http://www.wdstar.com) • email: [stalls@wdstar.com](mailto:stalls@wdstar.com)

# WOODSTAR PRODUCTS, INC.

## STANDARD DUTCH DOOR HARDWARE PACKAGE

1. 4 - 10" DECORATIVE HINGES
2. 12 - #12 x 2" SCREWS (FOR DOOR SIDE ONLY)
3. 1 - SWINGING DOOR LATCH
4. 1 - 6" BARREL BOLT (FROM TOP TO BOTTOM DOOR)
5. 1 - 6" SAFTY GATE HOOK (FROM BOTTOM DOOR TO JAMB)

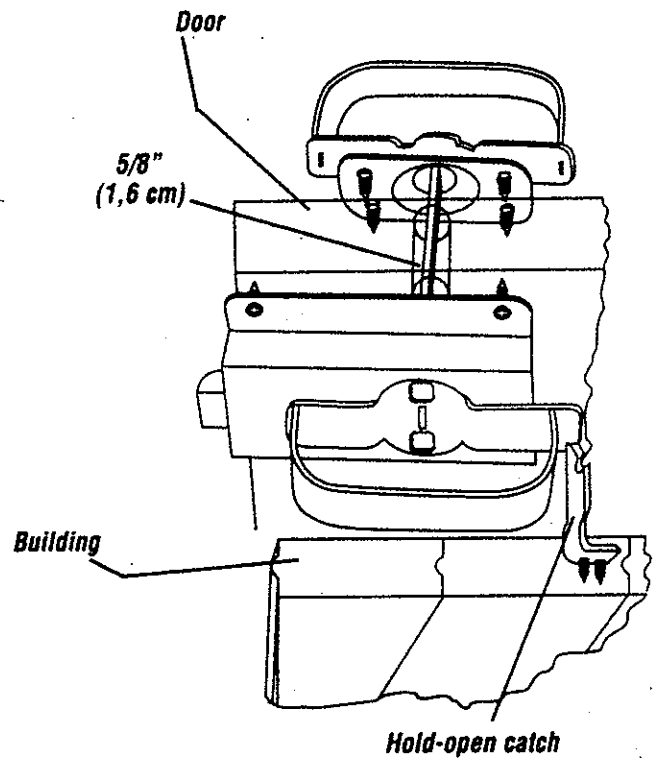
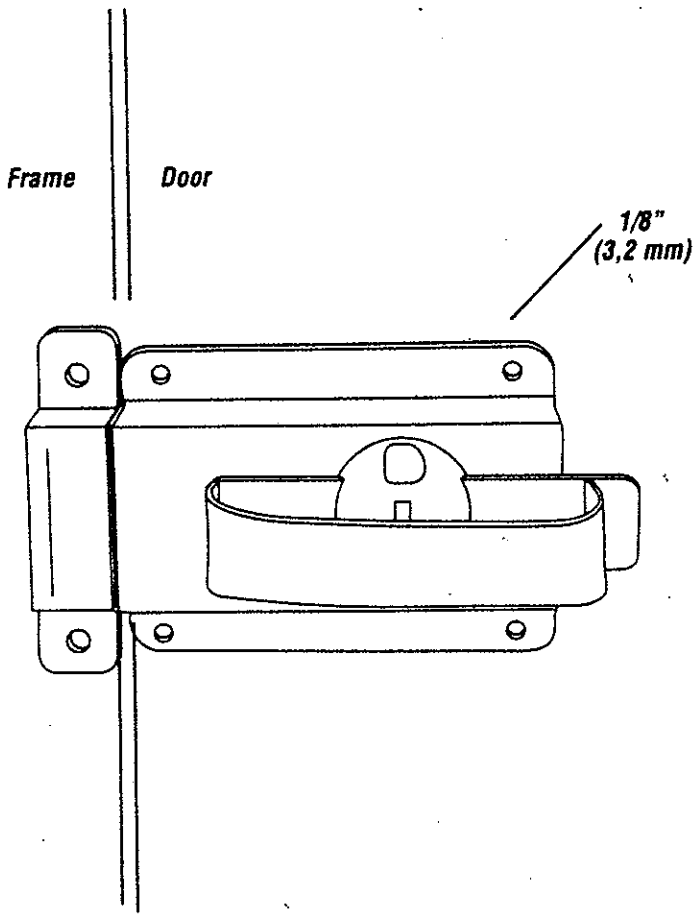


1824 Hobbs Drive • Delavan, Wisconsin 53115

Phone: (262) 728-8460 • Fax: (262) 728-1813 • (800) 648-3415 • Web: [www.wdstar.com](http://www.wdstar.com) • email: [stalls@wdstar.com](mailto:stalls@wdstar.com)

# WOODSTAR PRODUCTS, INC.

## SWINGING DOOR LATCH DETAIL



**NOTE: For  $3/4''$  to  $2 1/4''$  thick doors. Also available for 3" thick doors.**



1824 Hobbs Drive • Delavan, Wisconsin 53115

Phone: (262) 728-8460 • Fax: (262) 728-1813 • (800) 648-3415 • Web: [www.wdstar.com](http://www.wdstar.com) • email: [stalls@wdstar.com](mailto:stalls@wdstar.com)