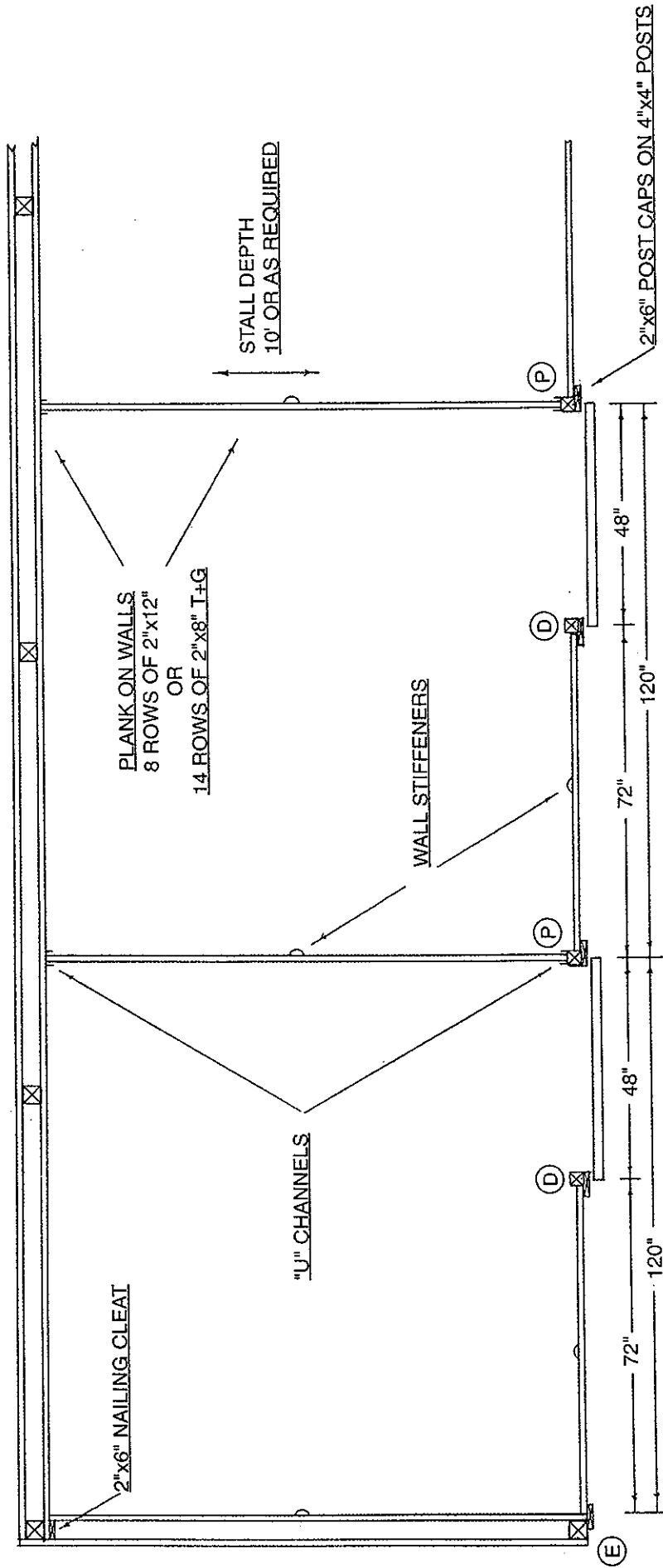


OUTSIDE WALL OF BUILDING - POSTS @ 8' O.C. CAN BE 9' OR 10' O.C.



- (E) = ENDWALL POST
- (P) = PARTITION POST
- (D) = DOOR POST

WOODSTAR PRODUCTS, INC.
Installation Instructions

MATERIALS TO BE PURCHASED LOCALLY – PER STALL

QUANTITY	MATERIAL
8	Planks, 2" x 12" for back wall. Length is determined by number of stalls in a row and distance between building's posts as explained in Instructions.
8	Planks, 2" x 12" for partition wall. Length is equal to the depth of stall desired. <i>*See Note Below</i>
2	Posts, 4" x 4" x 8' if Post Anchors are used. (Posts are to be 10' long if Post Anchors are not used.)
1	Plank, 2" x 6" to be used for Track Header, Length equal to width of stall.
2	Planks, 2" x 6" x 8' to be used for Post Caps.
1/2 lb.	Nails, 10-D (3" L)
1/4 lb.	Nails, 16-D (3 1/2" L)
2 lbs.	Nails, 4" pole barn or 20-D (4" L)
28	Screws, #8 x 1 1/2" when U-Channels are used.
10' Wide Stall:	2 planks, 2" x 12" x 12' for front wall 1 plank, 2" x 4" x 8' for front wall 1 plank, 2" x 6" x 8' for front wall
12' Wide Stall:	4 planks, 2" x 12" x 8' for front wall 1 plank, 2" x 4" x 8' for front wall 1 plank, 2" x 6" x 8' for front wall

MATERIALS NEEDED FOR ONE END WALL

- 8 Planks, 2" x 12". Length equal to depth of stall.
- 1 Cleats, 2" x 6" x 8'

**When partition wall includes Grill Panel, the following materials should be used to complete the Partition Wall:*

- 4 Planks, 2" x 12"
- 1 Plank, 2" x 4"
- 1 Plank, 2" x 10"

SPECIAL NOTE:

It is recommended that 2" x 12" planks be used for the back wall, the partition walls and the end wall.

The distance between the building's posts will vary by manufacturer. Generally, they are 8', 9' or 10' on center.

2" x 12" planks can be purchased in increments of two (2) foot lengths from 8' to 22'.

STEP I – ERECTING THE BACK WALL

- A. Level first plank at grade and nail flush to the outer edge of corner post and to the center of the interior post as shown in stall layout. Use 4" pole barn nails or 20-D (4") nails.
- B. Continue first row of planks until total length is equal to the width of the stall times (x) the number of stalls to be built in a row.
- C. Nail subsequent levels of planks to building posts in the same manner as the grade level planks were nailed. It is recommended that the planks be eight levels high and the joints be staggered, if possible.

STEP II – ERECTING END WALL

- A. Nail 2" x 6" cleat to back wall post and to side of post "E" as shown in stall layout.
- B. Nail 2" x 12" planks in same manner as back wall.

STEP III – SETTING POSTS (4" x 4" x 8' when Post Anchors are used)

- A. Drill ½" diameter hole in center of bottom of all posts, 4" deep.
- B. Set bottom end of U-Channel even with bottom end of post. Using #8 x 1 ½" pan head screws, fasten U-Channel along center of one side of post. (This will become the back side of post that faces towards the back wall.) The posts that require U-Channels are corner posts such as Post "P" as shown in stall layout.
- C. If the ground is soft, it is advisable to dig around the post anchors to a depth of approximately 12" and fill the hole with concrete mix. If the ground is frozen or extremely hard, it is advisable to slide a piece of pipe over the post anchor stud and drive the post anchor by driving the pipe.
- D. Set posts on post anchors

STEP IV – SETTING POSTS (4" x 4" x 10' when Post Anchors are not used)

- A. Dig holes in ground approximately 30" deep where posts are to be located. Set posts in holes and fill holes with concrete mix.

STEP V – INSTALLING U-CHANNELS TO BACK WALL AND SETTING PARTITION WALL

- A. Fasten U-Channel to back wall exactly opposite U-Channels, which have been fastened to back side of posts. Use #8 x 1 ½" pan head screws.
- B. Slip 2" x 12" plank down U-Channel until edge of plank is at grade level. Making certain that plank is level, insert screw through hole on side of U-Channel into each end of plank.
- C. Slip subsequent planks into U-Channel. At the fourth plank, make certain that the post is plumb. Then, insert screws through the U-Channels at both ends of plank. Install remaining 4 planks. Drive screw through the U-Channels at both ends of top plank.

If Side Grill Panel is used, first install four 2" x 12" planks, then one 2" x 4", then the Grill Panel, and then finish above the Grill Panel with one 2" x 10". Grill Panels are pre-bored to provide for attaching to plank above and below.

STEP VI – INSTALLING TRACK HEADER

- A. Measure up from grade and make a mark on post “E” at 90”. This will be the top of the header.
- B. After plumbing post “P”, measure from 3” onto post “E” to the center of post “P”. This will determine the length of your first header.
- C. Set top of header even with 90” mark on post “E”. Level header and nail into place.
- D. Subsequent headers will be installed from center of post “P” to center of post “P”. Make certain that all posts are plumb prior to measuring and installing header.

STEP VII – DOOR POST “D” LOCATION

- A. Set post “D” 48” on center from post “P” as shown in stall layout.
- B. Plumb and attach Post “D” to header. Nail through header into post.

STEP VIII – INSTALLING POST CAPS

- A. 2” x 6” Post Cap is to be nailed to the front face of each post. Cut the 2” x 6” to length so that one end is at grade level and the other end butts up to the bottom edge of the header.
- B. Nail the Post Cap to the face of the post so that it is flush to both sides of door opening as shown in stall layout. Use 4” pole barn or 20-D (4”) nails.

STEP IX – INSTALLING FRONT PLANKS AND FRONT GRILL PANEL

If Front Grill Panel has a feeder opening – do not remove packing strips from back side of Grill Panel until Front Grill has been fastened into place.

- A. Working from inside the stall, cut one 2” x 12” plank to length equal to distance between posts. Nail through backside of 2” x 12” and into post caps so that bottom edge of 2” x 12” is 90” below top edge of header. Using a carpenter’s level, make certain that plank is level. Use 10-D nails.
- B. Nail three (3) more 2” x 12” planks on top of each other.
- C. Nail one (1) 2” x 4” plank on top of fourth 2” x 12” plank.
- D. Set Grill Panel on top edge of 2” x 4” and nail into 2” x 4” below.
- E. Set a 2” x 6” on top of Grill Panel and nail from back side into post caps and header.
- F. Nail Grill Panel upwards into 2” x 6” plank.

STEP X – INSTALLING TRACK

- A. Set track against face side of header so that flanges of track rest over top edge of header and so end of track is even with inside edge of corner post. Fasten down flanges with 10-D nails.

STEP XI – INSTALLING TRACK ROLLERS

- A. Place roller brackets on face side of door over pre-bored holes. Insert bolts from backside of door with nuts on face side of door. After door is hung, adjustments can be made up and down, or in and out.

STEP XII – INSTALLING DOOR

- A. Slide door onto track.
- B. Plumb door by adjusting track rollers

STEP XIII – INSTALLING STAY ROLLER

- A. Remove roller from metal bracket.
- B. Fasten bracket to center post so that bottom edge of door clears the bracket ($\frac{1}{2}$ " – $\frac{3}{4}$ "). When the door is opened or closed, the bracket will be behind the door edges.
- C. Replace roller.

STEP XIV – INSTALLING DOOR STOPS AND DOOR LATCH

- A. With the door in the closed position ($\frac{3}{4}$ " past edge of post cap), nail large stop block to post "P". Use 20-D nails. Set top of large stop block $39 \frac{1}{2}$ " down from top of header.
- B. With the door in the open position, nail small stop block to header so that it meets back edge of roller bracket.
- C. With the door in a closed position, affix door latch using paper template supplied with latch.

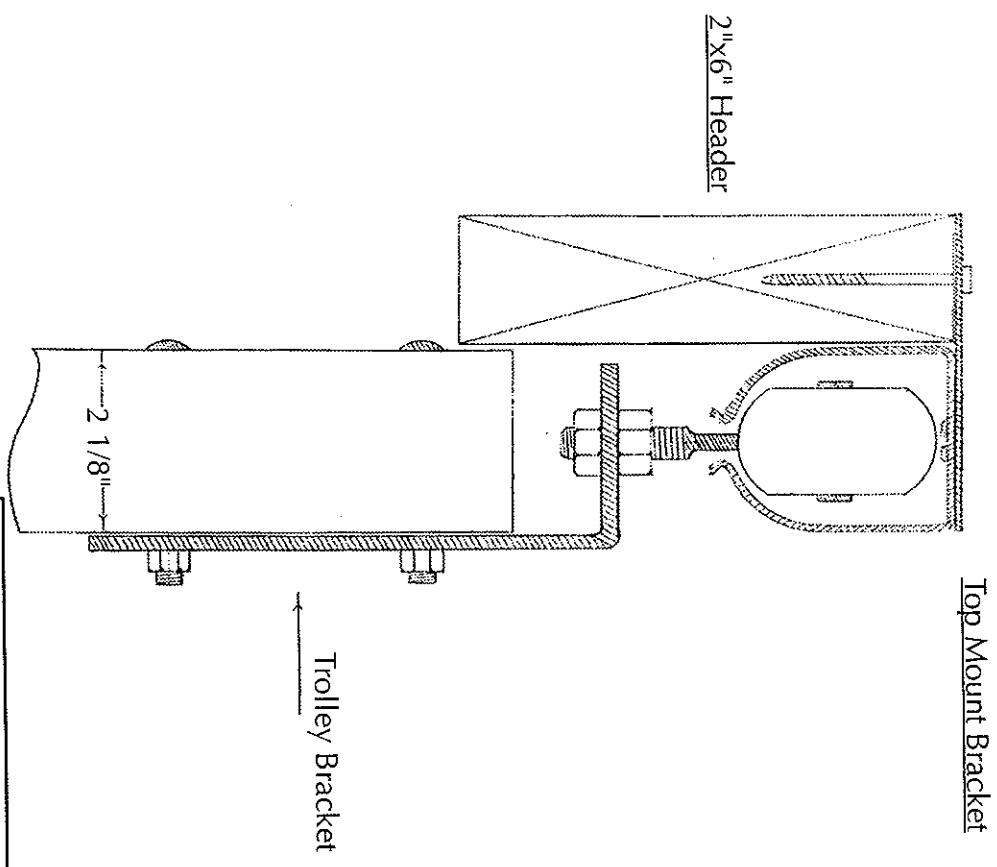
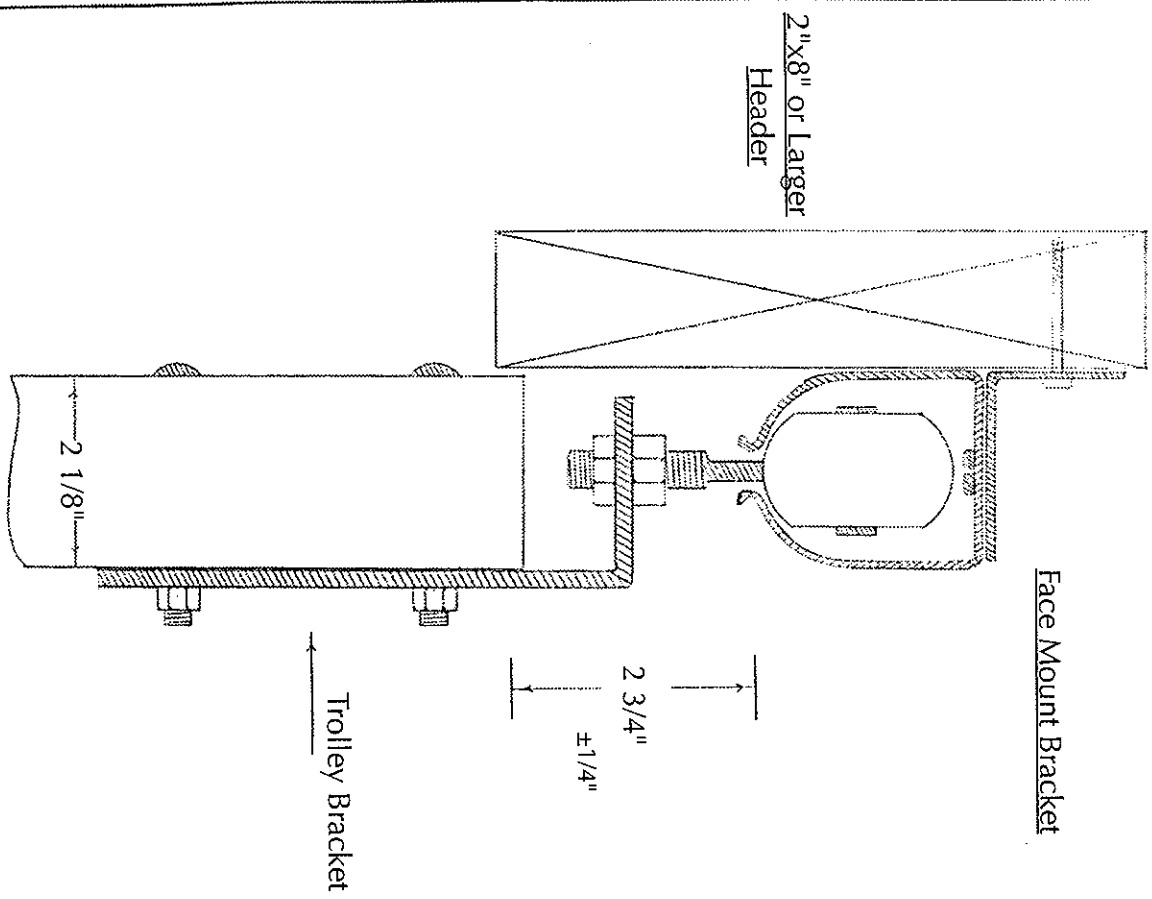
REMOVING PARTITION WALL TO CREATE A FOALING STALL

Before removing the screws that go through the U-Channel and into the partition planks, a 2" x 4" should be fastened from the top edge of the header to the top edge of the back wall at a location near to the wall that is to be removed. In this way, the front wall will maintain the same rigidity that it had before the partition wall was removed.

After the partition wall has been removed, the edges of the U-Channels will be exposed which could possibly be injurious to the horse. It is recommended that one 2" x 4" be placed in each U-Channel in a vertical position and fastened top and bottom.

As with all exterior wood products, it is extremely important to provide protection from the elements. For staining, apply two coats of a quality exterior stain and polyurethane. For painting, apply a primer and two coats of a quality exterior paint. Whether staining or painting, it is essential that the door is dry prior to applying the finish and that all exposed wood is covered.

STALL DOOR TRACK DETAIL

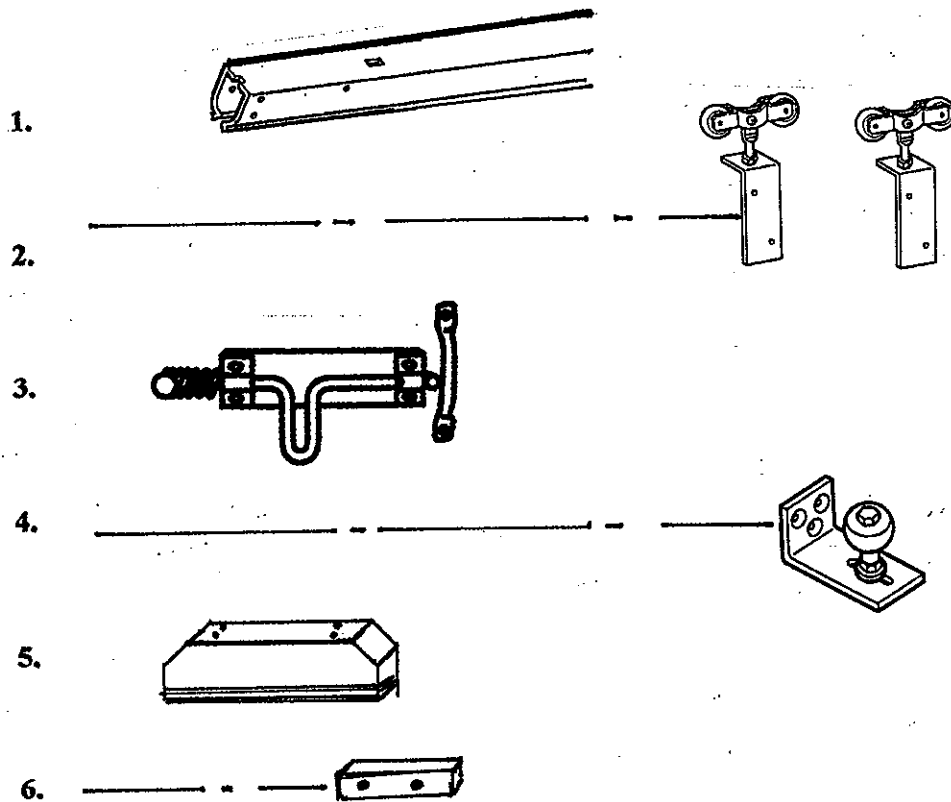


Woodstar Products	
DATE	DESIGNED BY
June 07	E. Vogel
Delavan, Wisconsin	
800-648-3415	

WOODSTAR PRODUCTS, INC.

STANDARD 8' SLIDING DOOR HARDWARE PACKAGE

-
1. 1-8' PCS. OF TRACK
 2. 1-BAG W/ TROLLEYS & BOLTS
 3. 1-BOX W/ SPRING LOADED SAFTY LATCH
 4. 1-STAY ROLLER W/ SCREWS
 5. 1-LARGE STOP BLOCK
 6. 1-SMALL STOP BLOCK



1824 Hobbs Drive • Delavan, Wisconsin 53115

Phone: (262) 728-8460 • Fax: (262) 728-1813 • (800) 648-3415 • Web: www.wdstar.com • email: woodstar@idcnet.com